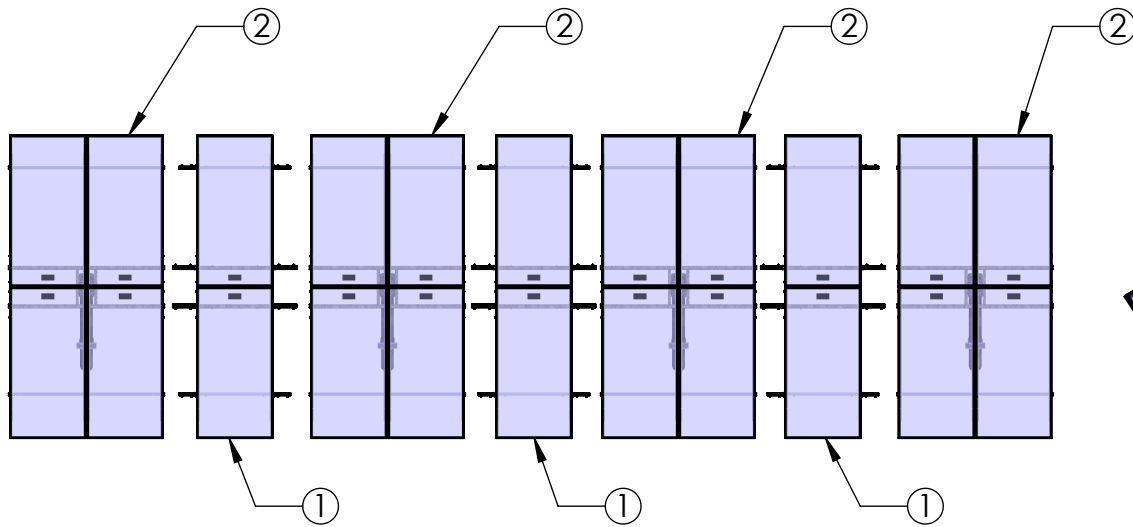
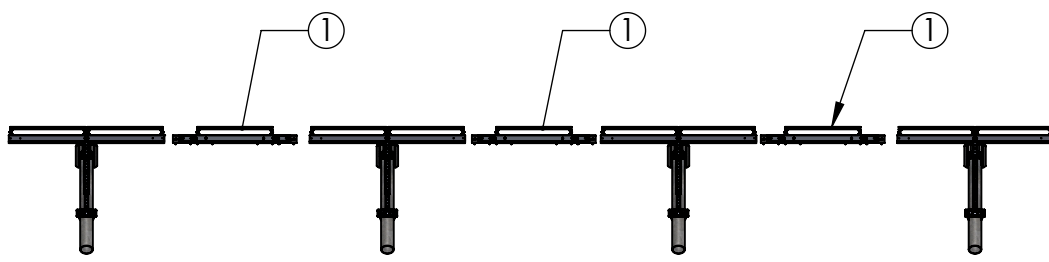


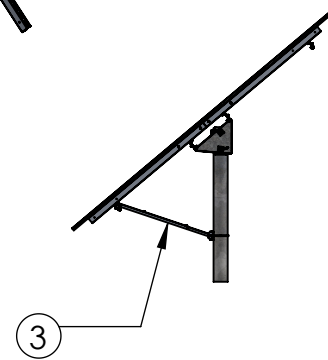
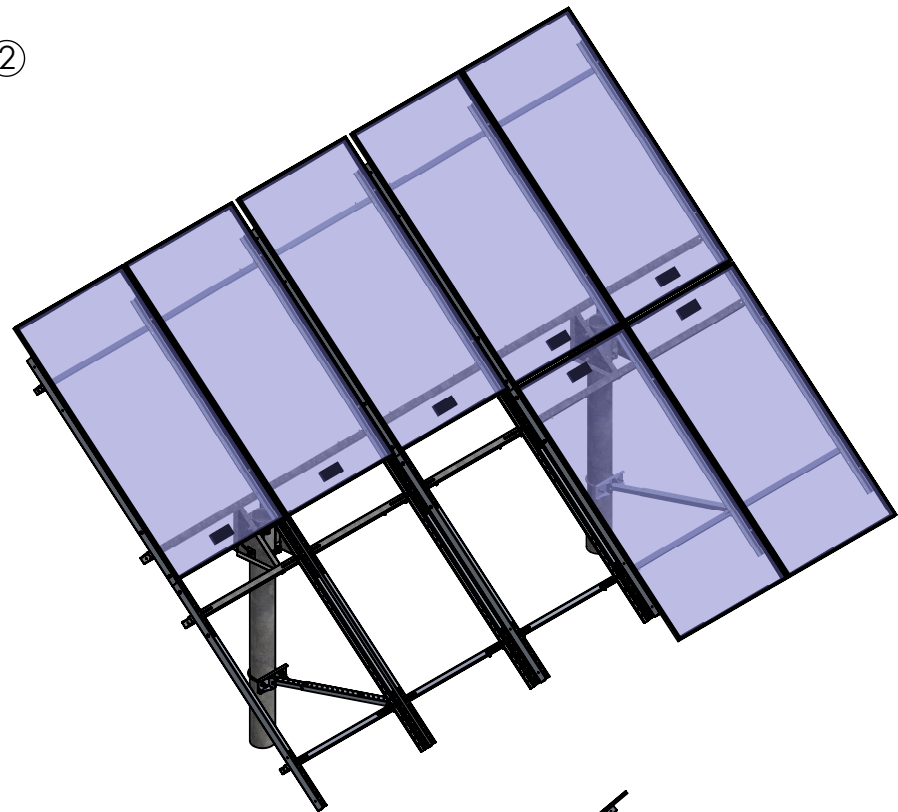
REV.		DESCRIPTION	DATE	APPROVED
A		INITIAL RELEASE FOR TSP	01/07/16	VZ



SHOWN SEPARATED FOR CLARITY



(4) Panels FIRST POLE + (6) Panels +6  
PN# 6TP-ADD/6072 +6



22 PANELS THIS EXAMPLE:  
ORDER (1) **PN# 10TP-MID/6072** (FIRST 10 PANELS)  
ORDER (2) **PN# 6TP-ADD/6072** (FOR NEXT 2 SETS OF 6 PANELS) PER POLE "ADDED",  
WHICH INCLUDES ITEMS 1,2,3, BELOW

ITEM NO.	PART NUMBER	DESCRIPTION	QTY.
1	UNI-PORT-140	(2) 60-70 CELL PANELS IN PORTRAIT INTERTIE	3
2	UNI-4TP/6072	(4)60-72 CELL PANELS IN PORTRAIT	4
3	UNI-MID/BRC	BRACE REQUIRED WITH MULTI POLE CONFIGURATION	4

DRAWN	XX	XX/XX/XXX
CHECKED	XX	XX/XX/XXX
ENG APPR.	XX	XX/XX/XXX
MFG APPR.	VZ	XX/XX/XXX
Q.A.	XX	XX/XX/XXX

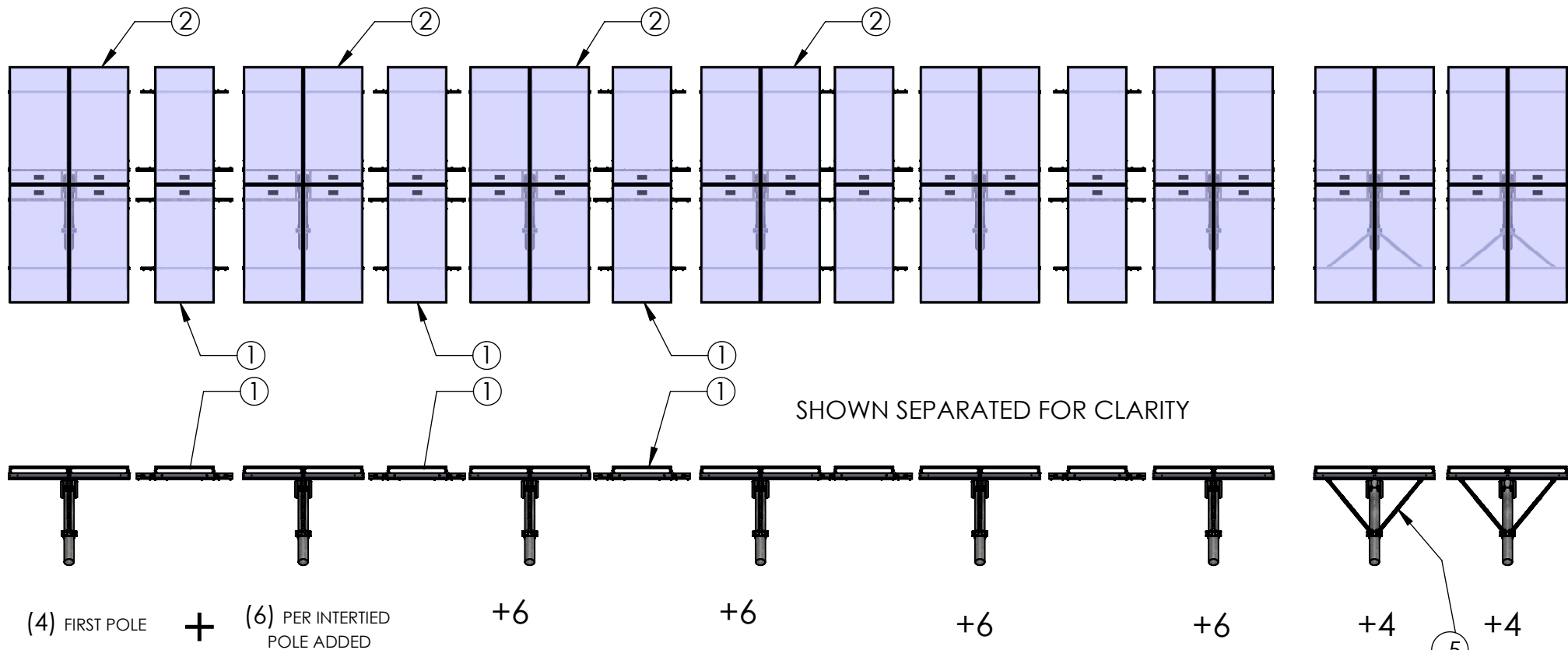
COMMENTS:  
  
DO NOT SCALE DRAWING



MULTI-POLE PROJECT PLANNING

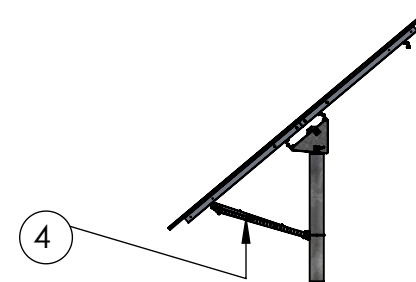
SIZE <b>A</b>	DWG. NO.	REV. <b>A</b>
SCALE:1:256	WEIGHT:	SHEET 1 OF 1

REV.		DESCRIPTION	DATE	APPROVED
A		INITIAL RELEASE FOR TSP	01/07/16	VZ



42 PANELS THIS EXAMPLE:  
 COMBINING MULT-POLE WITH STAND ALONE  
 ORDER (1) **PN# 10TP-MID/6072** (FIRST 10 PANELS/2 POLES)  
 ORDER (4) **PN# 6TP-ADD/6072** (FOR NEXT (4) SETS OF 6 PANELS) PER POLE "ADDED",  
 ORDER (2) **PN# 4TP-VEE/6072** (FOR NEXT (2) SETS OF 4 PANELS STAND ALONE POLES ADDED)  
 WHICH INCLUDES ITEMS 1-5, BELOW

ITEM NO.	PART NUMBER	DESCRIPTION	QTY.
1	UNI-PORT-140	(2) 60-70 CELL PANELS IN PORTRAIT INTERTIE	5
2	UNI-4TP/6072	(4) 60-72 CELL PANELS IN PORTRAIT	6
3	UNI-MID/BRC	BRACE REQUIRED WITH MULTI POLE CONFIGURATION	6
4	UNI-VEE/BRC	BRACE REQUIRED WITH STAND ALONE CONFIGURATION	2
5	UNI-4TP/6072	(4) 60-72 CELL PANELS IN PORTRAIT	2



DRAWN	XX	XX/XX/XXX
CHECKED	XX	XX/XX/XXX
ENG APPR.	XX	XX/XX/XXX
MFG APPR.	VZ	XX/XX/XXX
Q.A.	XX	XX/XX/XXX

COMMENTS:  
  
DO NOT SCALE DRAWING



MULTI-POLE PROJECT PLANNING

SIZE A	DWG. NO.	REV. A
SCALE:1:256	WEIGHT:	SHEET 1 OF 1